

UBUILDER SERIES

STAINLESS STEEL SINKS

Introducing the **Builder Series** of Stainless Steel Sinks, a great value sink designed to give **you** the competitive edge when spec'ing out medium and large commercial based projects. These value priced sinks are superior quality with exceptional value, and come in several popular styles.

18 GAUGE CONSTRUCTION • SATIN FINISH • POPULAR STYLES

SU200S

Single Bowl Undermount Handmade Sink

SKU: SU200S

17-1/8" x 15-1/4" x 9" D.

Features

- 18-Gauge Construction
- 304 Series Stainless Steel
- 18/10 Chrome-Nickel Content
- Fully Insulated Spray Coating
- Support Brackets Included
- Handmade Construction
- Sound Dampening Pads
 - R19 Radius Corners
 - Satin Finish

Code/Standards Compliance

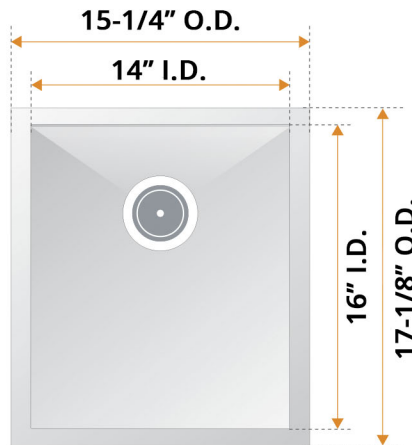
- ASME 112.19.3-00
- IAPMO/UPC Compliant

Includes

- Mounting Fasteners
- Paper Cutout Template
- DXF CAD Files Available

Optional Accessories

- Stainless Steel Sink Strainer (SSS-D07)



Bowl Depth

9"D.